



# 贝得其他系列低压交流异步电动机

产 品 样 本



# 公司概况

## Company Profile



### 西门子电机（中国）有限公司

西门子电机（中国）有限公司是西门子在中国的独资企业，位于江苏省仪征市，占地面积为200亩。公司主要致力于研发和生产中小型低压三相异步电动机，目前生产符合 IEC 标准的西门子品牌三相异步电动机、以及按中国标准设计的贝得品牌系列三相异步电动机。

作为西门子在全球中小型低压电机产品的重要生产基地之一，公司将坚持秉承西门子尖端技术，采用西门子特色的现代化管理模式，严格按照国际标准 ISO9001:2008 实施全面质量管理，竭诚为广大客户提供优质的产品和服务！

### Siemens Standard Motors Ltd.

Siemens Standard Motors Ltd. (SSML) is a Siemens-owned company in China. With an area of 133,400 square meters, SSML is located in Yizheng City, Jiangsu Province. The company focuses on developing and producing small and medium low-voltage motors. Currently, SSML mainly produce Siemens brand low voltage AC motors according to IEC standards, and Beide brand low voltage motors designed according to China local standards.

As one of Siemens main low-voltage motor production facilities worldwide, SSML uses the knowledge and experience of more than 100 years in motor design and manufacturing, and implement comprehensive quality control according to ISO9001 2008. SSML will continuously serve customers with high quality products and good service.



公司概况 .....	2
Company Profile	
YVF2 系列变频调速专用三相异步电动机 .....	4
YVF2 Series Variable Speed Motors	
YEJ 系列电磁制动三相异步电动机 .....	8
YEJ Series Electromagnetic Brake Three-Phase Asynchronous Motors	
标准选件 — YVF2 / YEJ 系列 .....	10
Standard Options — YVF2 / YEJ Series	
YD 系列变极多速三相异步电动机 .....	11
YD Series Change-Poles Multi-Speed Asynchronous Motors	
YCT 系列电磁调速电动机 .....	13
YCT Series Electromagnetic Speed Control Asynchronous Motors	
证书 .....	15
Certificates	

# YVF2 系列变频调速专用三相异步电动机

## YVF2 Series Variable Speed Motors



额定功率: 0.55 ~ 280 kW	Rated output: 0.55 ~ 280 kW
机座号: 80 ~ 355	Frame Size: 80 ~ 355
额定电压: 380 V	Rated voltage: 380 V
冷却方式: IC416	Cooling method: IC416
防护等级: IP54	Protection degree: IP54
绝缘等级: F	Insulation class: F
安装型式: 同 Y2 系列电动机	Mounting type: Same as Y2 series motor
环境温度: -15 ~ 40 °C	Coolant temperature: -15 ~ 40 °C
海拔高度: 不超过 1000 m	Site altitude: Up to 1000 m above sea level

### 概述

YVF2 系列变频调速专用三相异步电动机是一种交流、高效、节能型调速电动机，可与国内外变频器配套使用，该产品运行可靠、维护方便。电机单独装有轴流风机，在不同转速下均有较好的冷却效果。电机的功率、安装尺寸和外形与 Y2 系列（IP54）三相异步电动机相同（除风罩比 Y2 系列电机稍长，即电机总长增加）。可广泛用于轻工、纺织、化工、冶金、机床行业等需要调节转速的设备中。

### Introduction

YVF2 Series Variable Speed Motors are AC high-efficiency, energy saving motors. It can be configured with the frequency converter from domestic and abroad. It has the characteristics with reliable operation and easy maintenance. Separate axial-flow ventilator is installed, which can guarantee a better cooling effect in different speed. The power, mounting dimensions and outline are same as Y2 series motors except for long fancover. YVF2 series motors can be widely applied to the equipment which need speed control in light industry, textile, chemical, metallurgy and machine tool industries etc.

技术数据 Technical data

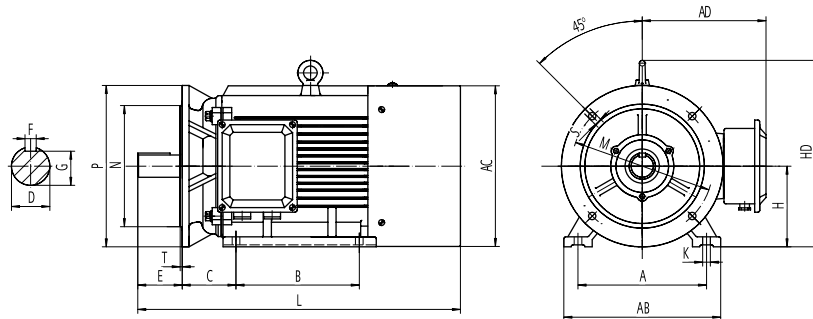
标称功率 Power (kW)	型号 Type	额定转矩 Rated torque (N.m)	电流 Current (A)	重量 (kG)	型号 Type	额定转矩 Rated torque (N.m)	电流 Current (A)	重量 (kG)	匹配变频器容量 Power of suited converter (kW)
0.55					YVF2-80M1-4	3.5	1.6	17	1
0.75	YVF2-80M1-2	2.4	1.8	17	YVF2-80M2-4	4.7	2	18	1
1.1	YVF2-80M2-2	3.5	2.6	19	YVF2-90S-4	7	2.9	22	2
1.5	YVF2-90S-2	4.8	3.5	23	YVF2-90L-4	9.5	3.8	28	2
2.2	YVF2-90L-2	7	4.9	29	YVF2-100L1-4	14	5.2	35	3
3	YVF2-100L-2	9.6	6.4	37	YVF2-100L2-4	19	7	39	4
4	YVF2-112M-2	12.7	8.2	43	YVF2-112M-4	25.4	9.3	45	6
5.5	YVF2-132S1-2	17.5	11.1	80	YVF2-132S-4	35	12	68	10
7.5	YVF2-132S2-2	23.9	15	92	YVF2-132M-4	47.7	15.5	82	10
11	YVF2-160M1-2	35	21.4	120	YVF2-160M-4	70	22.5	125	15
15	YVF2-160M2-2	47.8	29	130	YVF2-160L-4	95.5	31	150	20
18.5	YVF2-160L-2	59	35	150	YVF2-180M-4	117.8	36.5	170	30
22	YVF2-180M-2	70	41.4	220	YVF2-180L-4	140	43.5	188	30
30	YVF2-200L1-2	95.5	56	245	YVF2-200L-4	191	58	257	40
37	YVF2-200L2-2	117.8	68.5	262	YVF2-225S-4	235.5	70	303	50
45	YVF2-225M-2	143.3	82.8	300	YVF2-225M-4	286.4	85	343	60
55	YVF2-250M-2	175	100.7	395	YVF2-250M-4	350.1	103	430	70
75	YVF2-280S-2	238.8	136.4	550	YVF2-280S-4	477.7	140	570	100
90	YVF2-280M-2	286.5	161.4	620	YVF2-280M-4	573	167	630	120
110	YVF2-315S-2	350.1	197	970	YVF2-315S-4	700.2	201	1000	150
132	YVF2-315M-2	420.2	235	1055	YVF2-315M-4	840.3	240	1100	180
160	YVF2-315L1-2	509.3	282	1060	YVF2-315L1-4	1018.5	287	1150	210
185				1200	YVF2-315L-4	1177.7	332	1200	220
200	YVF2-315L2-2	636.7	352	1100	YVF2-315L2-4	1273.2	359	1230	270
220					YVF2-355M1-4	1400.7	403	1800	280
250					YVF2-355M2-4	1591.7	462	1860	350
280					YVF2-355L1-4	1782.7	516	1940	400

技术数据 Technical data

标称功率 Power (kW)	型号 Type	额定转矩 Rated torque (N.m)	电流 Current (A)	重量 (kG)	型号 Type	额定转矩 Rated torque (N.m)	电流 Current (A)	重量 (kG)	匹配变频器容量 Power of suited converter (kW)
0.55	YVF2-80M2-6	5.3	1.8	18					1
0.75	YVF2-90S-6	7.2	2.3	24					1
1.1	YVF2-90L-6	10.5	3.2	29					2
1.5	YVF2-100L-6	14.3	4	37					2
2.2	YVF2-112M-6	21	5.7	44	YVF2-132S-8	28	6.1	80	3
3	YVF2-132S-6	28.6	7	80	YVF2-132M-8	38.2	8	92	4
4	YVF2-132M1-6	38.2	9.1	92	YVF2-160M1-8	51	10.4	110	6
5.5	YVF2-132M2-6	52.5	12.5	97	YVF2-160M2-8	70	13.8	120	10
7.5	YVF2-160M-6	71.6	17	125	YVF2-160L-8	95.5	18	140	10
11	YVF2-160L-6	105	24	140	YVF2-180L-8	140	25.4	230	15
15	YVF2-180L-6	143.3	30	230	YVF2-200L-8	191	34.4	250	20
18.5	YVF2-200L1-6	176.7	37	275	YVF2-225S-8	235.6	41.5	340	30
22	YVF2-200L2-6	210	45	300	YVF2-225M-8	280	47.8	360	30
30	YVF2-225M-6	286.5	58	350	YVF2-250M-8	382	64	420	40
37	YVF2-250M-6	353.4	71	420	YVF2-280S-8	471	78.5	550	50
45	YVF2-280S-6	429.7	86	535	YVF2-280M-8	573	95	630	60
55	YVF2-280M-6	525.2	105	610	YVF2-315S-8	700.3	113	890	70
75	YVF2-315S-6	716	141	850	YVF2-315M-8	955	153	970	100
90	YVF2-315M-6	860	170	1110	YVF2-315L1-8	1146	180	1070	120
110	YVF2-315L1-6	1050	206	1150	YVF2-315L2-8	1400.7	219	1240	150
132	YVF2-315L2-6	1260	249	1200					180
160	YVF2-355M1-6	1528	301	1680					210
185	YVF2-355M2-6	1766.8	347	1750					220
200	YVF2-355M3-6	1910	375	1880					270
220	YVF2-355L1-6	2101	412	1980					280

## 安装及外形尺寸 Dimensions of mounting and outline

机座号 Motor size	极数 Poles	安装尺寸 (mm) Mounting Dimensions															外形尺寸 (mm) Outline Dimensions					
		A	B	C	D	E	F	G	H	K	M	N	P	R	S	T	凸缘孔数	AB	AC	AD	HD	L
80M	2,4,6,8	125	100	50	19	40	6	15.5	80	10	165	130	200	0	12	3.5	4	165	165	180	320	370
90S		140	100	56	24	50	8	20	90	10	165	130	200	0	12	3.5	4	180	180	180	350	380
90L		140	125	56	24	50	8	20	90	10	165	130	200	0	12	3.5	4	180	180	180	350	410
100L		160	140	63	28	60	8	24	100	12	215	180	250	0	15	4	4	200	205	180	400	465
112M		190	140	70	28	60	8	24	112	12	215	180	250	0	15	4	4	245	230	200	420	485
132S		216	140	89	38	80	10	33	132	12	265	230	300	0	15	4	4	280	270	200	450	530
132M		216	178	89	38	80	10	33	132	12	265	230	300	0	15	4	4	280	270	200	450	570
160M		254	210	108	42	110	12	37	160	15	300	250	350	0	19	5	4	330	325	220	520	660
160L		254	254	108	42	110	12	37	160	15	300	250	350	0	19	5	4	330	325	220	520	715
180M		279	241	121	48	110	14	42.5	180	15	300	250	350	0	19	5	4	355	360	220	550	775
180L	279	279	121	48	110	14	42.5	180	15	300	250	350	0	19	5	4	355	360	220	550	815	
200L	318	305	133	55	110	16	49	200	19	350	300	400	0	19	5	4	390	400	250	645	850	
225S	4,8	356	286	149	60	140	18	53	225	19	400	350	450	0	19	5	8	435	450	250	690	885
225M	2	356	311	149	55	110	16	49	225	19	400	350	450	0	19	5	8	435	450	250	690	920
	4,6,8	356	311	149	60	140	18	53	225	19	400	350	450	0	19	5	8	435	450	250	690	920
250M	2	406	349	168	60	140	18	53	250	24	500	450	550	0	19	5	8	490	500	300	730	985
	4,6,8	406	349	168	65	140	18	58	250	24	500	450	550	0	19	5	8	490	500	300	730	985
280S	2	457	368	190	65	140	18	58	280	24	500	450	550	0	19	5	8	545	565	300	810	1095
	4,6,8	457	368	190	75	140	20	67.5	280	24	500	450	550	0	19	5	8	545	565	300	810	1095
280M	2	457	419	190	65	140	18	58	280	24	500	450	550	0	19	5	8	545	565	300	810	1145
	4,6,8	457	419	190	75	140	20	67.5	280	24	500	450	550	0	19	5	8	545	565	300	810	1145
315S	2	508	406	216	65	140	18	58	315	28	600	550	660	0	24	6	8	640	630	350	960	1300
	4,6,8,10	508	406	216	80	170	22	71	315	28	600	550	660	0	24	6	8	640	630	350	960	1300
315M	2	508	457	216	65	140	18	58	315	28	600	550	660	0	24	6	8	640	630	350	960	1410
	4,6,8,10	508	457	216	80	170	22	71	315	28	600	550	660	0	24	6	8	640	630	350	960	1410
315L	2	508	508	216	65	140	18	58	315	28	600	550	660	0	24	6	8	640	630	350	960	1410
	4,6,8,10	508	508	216	80	170	22	71	315	28	600	550	660	0	24	6	8	640	630	350	960	1410
355S	6,8,10	610	500	254	95	170	25	86	355	28	740	680	800	0	24	6	8	760	710	350	1060	1615
355M	2	610	560	254	75	140	20	67.5	355	28	740	680	800	0	24	6	8	760	710	350	1060	1615
	4,6,8,10	610	560	254	95	170	25	86	355	28	740	680	800	0	24	6	8	760	710	350	1060	1615
355L	2	610	630	254	75	140	20	67.5	355	28	740	680	800	0	24	6	8	760	710	350	1060	1615
	4,6,8,10	610	630	254	95	170	25	86	355	28	740	680	800	0	24	6	8	760	710	350	1060	1615



注:

1. 图为 B35 型图样, 机座带底脚, 端盖上有凸缘。
2. B3 型机座带底脚, 端盖上无凸缘, 无尺寸 M、N、P、R、S、T。
3. B5 型机座无底脚, 端盖上有凸缘, 无尺寸 A、B、C、AB。
4. 机座号 225 ~ 355 电机凸缘安装孔 S 为 8 孔均布。
5. R 为凸缘配合面至轴伸肩的距离。

Note:

1. The drawing is B35 type. There have housing feet and flange on end shield.
2. B3 type motors have frame feet but no flange, the dimensions have no M、N、P、R、S、T。
3. B5 type motors have flange but no frame feet, the dimensions have no A、B、C、AB。
4. There are eight symmetrical distributed holes for flange mounting on the FS225 ~ 355 motors.
5. R is the distance from the flange to the

# YEJ 系列电磁制动三相异步电动机

## YEJ Series Electromagnetic Brake Three-Phase Asynchronous Motors



电磁制动器额定电压：机座号 100 及以下者为直流 99 V，机座号 112 及以上者为直流 170 V。

Rated voltage of braker: DC 99 V below FS100, DC 170 V above motor size FS112.

安装型式：  
B3, B5, B6, B7, B8, B35

Mounting type:  
B3, B5, B6, B7, B8, B35

环境温度：-15 ~ 40 °C

Coolant temperature: -15 ~ 40 °C

海拔高度：  
不超过 1000 m

Site altitude:  
up to 1000 m above sea level

### 概述

YEJ 系列电磁制动三相异步电动机，绝缘等级、防护等级、冷却方法、结构与安装型式、使用条件、额定电压、额定频率等与 Y 系列（IP44）电动机相同，具有附加圆盘型直流电磁制动器，适用于一切要求快速停止、准确定位、往复运转的各种机械。

### Introduction

YEJ series electromagnetic brake asynchronous motors with same dimensions of mounting and outline, protection degree, mounting construction cooling method, structure and mounting type, using condition, rated voltage and rated frequency of the motors as Y series (IP44) motors, are assembled with DC electromagnetic brake. They are suitable for all kinds of machines that request rapidly stopping, accurate positioning and reciprocation movement.

规格表 Specification table

型号 Type	功率 (kW) Power	重量 (kg)	型号 Type	功率 (kW) Power	重量 (kg)	型号 Type	功率 (kW) Power	重量 (kg)
YEJ801-2	0.75	19	YEJ90L-4	1.5	31	YEJ132M1-6	4	76
YEJ802-2	1.1	20	YEJ100L1-4	2.2	39	YEJ132M2-6	5.5	95
YEJ90S-2	1.5	24	YEJ100L2-4	3	43	YEJ160M-6	7.5	137
YEJ90L-2	2.2	29	YEJ112M-4	4	51	YEJ160L-6	11	162
YEJ100L-2	3	39	YEJ132S-4	5.5	77	YEJ180L-6	15	217
YEJ112M-2	4	52	YEJ132M-4	7.5	91	YEJ200L1-6	18.5	282
YEJ132S1-2	5.5	76	YEJ160M-4	11	142	YEJ200L2-6	22	297
YEJ132S2-2	7.5	80	YEJ160L-4	15	167	YEJ225M-6	30	357
YEJ160M1-2	11	138	YEJ180M-4	18.5	199	YEJ132S-8	2.2	74
YEJ160M2-2	15	148	YEJ180L-4	22	217	YEJ132M-8	3	75
YEJ160L-2	18.5	162	YEJ200L-4	30	304	YEJ160M1-8	4	137
YEJ180M-2	22	207	YEJ225S-4	37	360	YEJ160M2-8	5.5	137
YEJ200L1-2	30	287	YEJ225M-4	45	400	YEJ160L-8	7.5	157
YEJ200L2-2	37	303	YEJ90S-6	0.75	26	YEJ180L-8	11	214
YEJ225M-2	45	379	YEJ90L-6	1.1	29	YEJ200L-8	15	282
YEJ801-4	0.55	19	YEJ100L-6	1.5	39	YEJ225S-8	18.5	333
YEJ802-4	0.75	20	YEJ112M-6	2.2	51	YEJ225M-8	22	360
YEJ90S-4	1.1		YEJ132S-6	3				

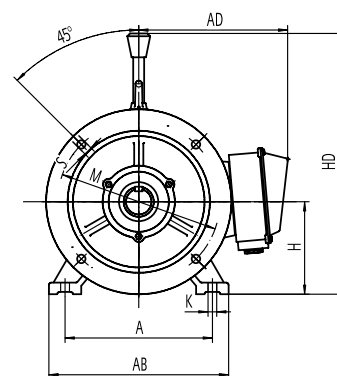
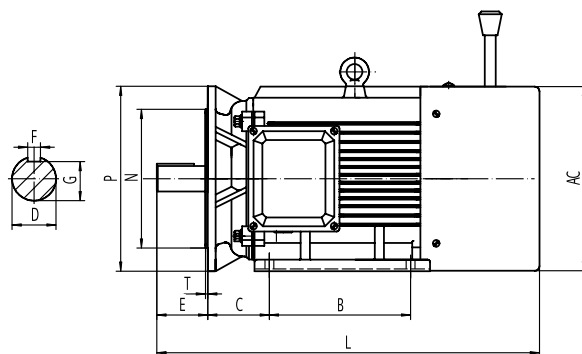


## 制动器技术数据 Technical data of brake

机座号 Motor size	静制动力矩 Rated Brake Torque (N.m)	空载制动时间 Release time (s) (开关在直流侧 Switch on DC side)	制动器电压 Voltage	励磁功率 Power (W)
80	7.5	0.2	99	50
90	15	0.2	99	60
100	30	0.2	99	80
112	40	0.25	170	110
132	75	0.25	170	130
160	150	0.35	170	150
180	200	0.35	170	150
200	300	0.45	170	200
225	450	0.45	170	200

## 安装及外形尺寸 Dimensions of mounting and Outline

机座号 Motor size	安装尺寸 (mm) Mounting Dimensions															外形尺寸 (mm) Outline Dimensions				
	A	B	C	D	E	F	G	H	K	M	N	P	R	S	T	AB	AC	AD	HD	L
80	125	100	50	19	40	6	15.5	80	10	165	130	200	0	12	3.5	165	165	150	245	350
90S	140	100	56	24	50	8	20	90	10	165	130	200	0	12	3.5	180	180	160	260	385
90L	140	125	56	24	50	8	20	90	10	165	130	200	0	12	3.5	180	180	160	260	410
100L	160	140	63	28	60	8	24	100	12	215	180	250	0	15	4	200	205	180	280	450
112M	190	140	70	28	60	8	24	112	12	215	180	250	0	15	4	245	230	190	332	470
132S	216	140	89	38	80	10	33	132	12	265	230	300	0	15	4	280	270	210	365	560
132M	216	178	89	38	80	10	33	132	12	265	230	300	0	15	4	280	270	210	365	600
160M	254	210	108	42	110	12	37	160	15	300	250	350	0	19	5	330	325	255	445	720
160L	254	254	108	42	110	12	37	160	15	300	250	350	0	19	5	330	325	255	445	765
180M	279	241	121	48	110	14	42.5	180	15	300	250	350	0	19	5	355	360	285	430	805
180L	279	279	121	48	110	14	42.5	180	15	300	250	350	0	19	5	355	360	285	430	840
200L	318	305	133	55	110	16	49	200	19	350	300	400	0	19	5	395	420	310	475	900
225S	356	286	149	60	140	18	53	225	19	400	350	450	0	19	5	435	475	345	515	960
225M	406	311	168	60	140	18	53	225	19	400	350	450	0	19	5	435	475	345	515	985



# 标准选件 — YVF2 / YEJ 系列

## Standard Options – YVF2 / YEJ Series

选件号 Option Code	描述 Description	适用范围 Scope	
		电机系列 Motor Series	机座号范围 Frame size
A11	绕组带一只三芯串联的 PTC 热敏电阻, 用于跳闸 Motor protection through PTC thermistor with 3 embedded temperature sensors for tripping	YVF2, YEJ	全部 All
A12	绕组带两只三芯串联的 PTC 热敏电阻, 一只用于报警, 一只用于跳闸 Motor protection through PTC thermistor with 6 embedded temperature sensors for tripping and alarm	YVF2, YEJ	全部 All
A60	绕组带三个 PT100 测温元件 Installation of 3 PT 100 resistance thermometers in stator winding	YVF2, YEJ	100 ~ 355
A61	绕组带六个 PT100 测温元件 Installation of 6 PT 100 resistance thermometers in stator winding	YVF2, YEJ	180 ~ 355
A72	轴承装 PT100 测温元件 Installation of 2 PT 100 screw-in resistance thermometers (basic circuit) for rolling-contact bearings	YVF2, YEJ	180 ~ 355
K45	绕组带 220V 防潮加热带 (1LG4系列:230V) Anti-condensation heater for 220V(1LG4 series have 230V)	YVF2, YEJ	全部 All
K10	接线盒在左侧 (从驱动端看) Terminal box on LHS (View on drive end)	YVF2, YEJ	全部 All
K11	顶出线 (从驱动端看出线口朝右) Terminal box on top, Cable entry on Right (view on drive end)	YVF2,	全部 All
K83	接线盒旋转 90 度,进线方向为驱动端方向 Rotation of terminal box by 90°, inserted from drive end	YVF2,	全部 All
K84 <sup>1)</sup>	接线盒旋转 90 度,进线方向为非驱动端方向 Rotation of terminal box by 90°, inserted from non-drive end	YVF2	全部 All
K85	接线盒旋转 180 度 Rotation of terminal box by 180°	YVF2	全部 All
K16 <sup>2)</sup>	标准双轴伸 Second standard shaft-extension	YB2, YEJ	全部 All
K40	带加排油装置 Re-greasing device	YVF2	180 ~ 280
K49	IP55	YEJ	全部 All
T04	英文铭牌 English Nameplate	YVF2, YEJ	全部 All
T68	全圆法兰 Round flange	YVF2, YEJ	全部 All
T70	光整机 Turning flange	YVF2	80 ~ 315
K24	不喷外观漆 Unpainted	YVF2, YEJ	全部 All
W01	SKF 轴承 SKF bearings	YVF2, YEJ	全部 All
W02	NSK 轴承 NSK bearings	YVF2, YEJ	全部 All
L1C	415VY 50Hz	YEJ	全部 All
L1D	415VD 50Hz	YEJ	全部 All
L2C	380Vd/660VY 60Hz (50Hz 功率输出 / 50Hz power output)		全部 All
L2Q	440VY 60Hz (50Hz 功率输出 / 50Hz power output)	YEJ	全部 All
L2R	440Vd 60Hz (50Hz 功率输出 / 50Hz power output)	YEJ	全部 All

<sup>1)</sup> 不能与 K11 同时选择配置

<sup>2)</sup> 非驱动端带防雨罩的电机不能选择此选件

<sup>1)</sup> Can not be configured together with K11 option

<sup>2)</sup> Motor with canopy on non-driven end should not be associated with this option

# YD 系列变极多速三相异步电动机

## YD Series Change-Poles Multi-Speed Asynchronous Motors



机座号: 80 ~ 280	Frame size: 80 ~ 280
额定电压: 380 V	Rated voltage: 380 V
额定频率: 50 Hz	Rated frequency: 50 Hz
冷却方式: IC411	Cooling method: IC411
防护等级: IP44	Protection degree: IP44
绝缘等级: B 级	Insulation class: B
环境温度: -15 ~ 40 °C	Coolant temperature: -15 ~ 40 °C
海拔高度: 不超过 1000 m	Site altitude: Up to 1000 m above sea level

### 概述

YD 系列变极多速三相异步电动机，适用于需要逐级调速的各种传动机构。

### Introduction

YD series pole-changing multi-speed three-phase asynchronous motors can apply to various transmission mechanism which need control speed step by step.

### 安装型式 Mounting type

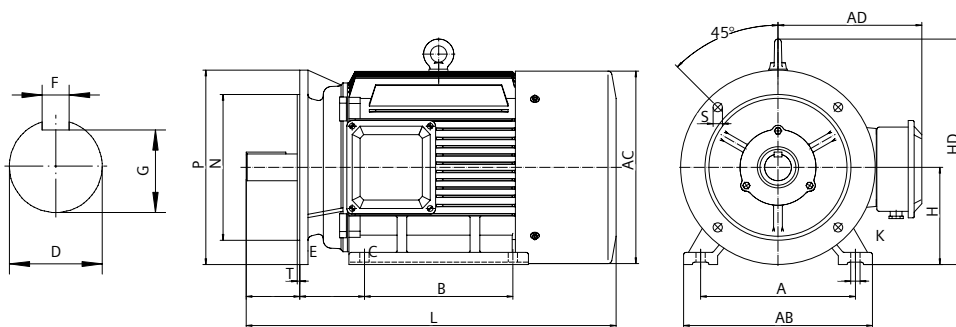
示意图 Diagram												
安装型式 (IM) Mounting type (IM)	B3	B5	B35	V1	V3	V5	V6	B6	B7	B8	V15	V36
机座号 Motor size	80 ~ 280	80 ~ 225	80 ~ 280	80 ~ 280	80 ~ 160							

### 规格表 Specification table

型号 Type	同步转速 Synchronous speed (r/min)			
	1500/3000	1000/1500	750/1500	500/1000
	极数 poles			
	4/2	6/4	8/4	12/6
功率 Power (kW)				
YD801	0.45/0.55			
YD802	0.55/0.75			
YD90S	0.85/1.1	0.65/0.85		
YD90L	1.3/1.8	0.85/1.1	0.45/0.75	
YD100L1	2/2.4	1.3/1.8	0.85/1.5	
YD100L2	2.4/3	1.5/2.2		
YD112M	3.3/4	2.2/2.8	1.5/2.4	
YD132S	4.5/5.5	3/4	2.2/3.3	
YD132M1	6.5/8	4/5.5	3/4.5	
YD132M2				
YD160M	9/11	6.5/8	5/7.5	2.6/5
YD160L	11/14	9/11	7/11	3.7/7
YD180M	15/18.5	11/14		
YD180L	18.5/22	13/16	11/17	5.5/10
YD200L1	26/30	18.5/22	14/22	7.5/13
YD200L2			17/26	9/15
YD225S	32/37	22/28		
YD225M	37/45	26/32	24/34	12/20
YD250M	45/52	32/42	30/42	15/24
YD280S		42/55	40/55	20/30
YD280M		55/67	47/67	24/37

## 安装及外形尺寸 Dimensions of mounting and Outline

机座号 Motor size	安装尺寸 (mm) Mounting Dimensions															外形尺寸 (mm) Outline Dimensions				
	H	A	B	C	D	E	F	G	K	M	N	P	R	S	T	AB	AC	AD	HD	L
80	80	125	100	50	19	40	6	15.5	10	165	130	200	0	12	3.5	165	175	150	175	290
90S	90	140	100	56	24	50	8	20	10	165	130	200	0	12	3.5	180	195	160	195	315
90L	90	140	125	56	24	50	8	20	10	165	130	200	0	12	3.5	180	195	160	195	340
100L	100	160	140	63	28	60	8	24	12	215	180	250	0	15	4	205	215	180	245	380
112M	112	190	140	70	28	60	8	24	12	215	180	250	0	15	4	245	240	190	265	400
132S	132	216	140	89	38	80	10	33	12	265	230	300	0	15	4	280	275	210	315	475
132M	132	216	178	89	38	80	10	33	12	265	230	300	0	15	4	280	275	210	315	515
160M	160	254	210	108	42	110	12	37	15	300	250	350	0	19	5	330	335	265	385	610
160L	160	254	254	108	42	110	12	37	15	300	250	350	0	19	5	330	335	265	385	655
180M	180	279	241	121	48	110	14	42.5	15	300	250	350	0	19	5	355	380	285	430	670
180L	180	279	279	121	48	110	14	42.5	15	300	250	350	0	19	5	355	380	285	430	710
200L	200	318	305	133	55	110	16	49	19	350	300	400	0	19	5	395	420	315	475	775
225S	225	356	286	149	60	140	18	53	19	400	350	450	0	19	5	435	475	345	530	820
225M	225	356	311	149	60	140	18	53	19	400	350	450	0	19	5	435	475	345	530	845
250M	250	406	349	168	65	140	18	58	24	500	450	550	0	19	5	490	515	385	575	930
280S	280	457	368	190	75	140	20	67.5	24	500	450	550	0	19	5	550	585	410	640	1000
280M	280	457	419	190	75	140	20	67.5	24	500	450	550	0	19	5	550	585	410	640	1050



注:

1. 图为 B35 型图样, 机座带底脚, 端盖上有凸缘。
2. B3 型机座带底脚, 端盖上无凸缘, 无尺寸 M、N、P、R、S、T。
3. B5 型机座无底脚, 端盖上有凸缘, 无尺寸 A、B、C、AB。
4. 机座号 225 ~ 355 电机凸缘安装孔 S 为 8 孔均布。
5. R 为凸缘配合面至轴伸肩的距离。

Note:

1. The drawing is B35 type. There have housing feet and flange on end shield.
2. B3 type motors have frame feet but no flange, the dimensions have no M、N、P、R、S、T。
3. B5 type motors have flange but no frame feet, the dimensions have no A、B、C、AB。
4. There are eight symmetrical distributed holes for flange mounting on the FS225 ~ 355 motors.
5. R is the distance from the flange to the drive shaft end.

# YCT 系列电磁调速电动机

## YCT Series Electromagnetic Speed Control Asynchronous Motors



机座号: 112 ~ 355

Frame size: 112 ~ 355

电机额定电压和频率:  
380 V, 50 Hz

Rated voltage and frequency of motor:  
380 V, 50 Hz

控制器额定电压和频率:  
220 V, 50 Hz

Rated voltage and frequency of controller:  
220 V, 50 Hz

环境温度: -15 ~ 40 °C

Coolant temperature: -15 ~ 40 °C

海拔高度: 不超过 1000 m

Site altitude: Up to 1000 m above sea level

### 概述

YCT 系列电磁调速电动机, 是一种交流恒转矩调速电机, 是通过可控硅控制而达到均匀无级调速的。

YCT 系列电机具有速度负反馈自动调节系统, 速度变化率低于 3%; 无失控区, 调速范围广, 最大可达 10:1; 控制功率小, 便于自控、群控、遥控; 起动性能好, 起动转矩大, 起动平滑, 使用维护方便等特点。

### Introduction

YCT series electromagnetic speed control asynchronous motors are the AC constant torque speed control motors. The even stepless speed of this motor is obtained through the SCR controller.

YCT series motors have the automatic speed control systems of speed negative feedback, the rate of speed changes is less than 3%; no speed area is out of control; wide range of the speed control, the maximum speed control range is 10:1; small control power, easy in self control, collected control and remote control; good in starting performance, large in startup torque, smooth in starting, easy in use and maintenance.

### 技术数据 Technical data

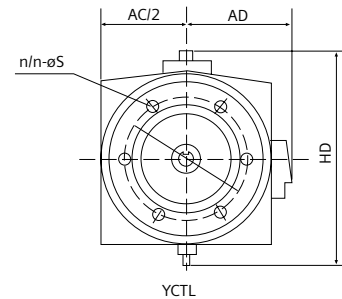
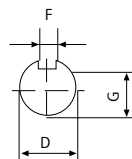
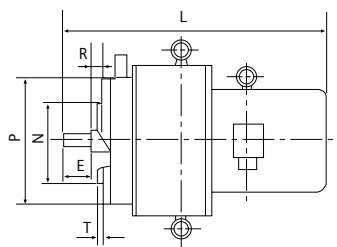
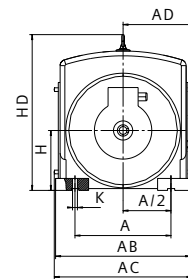
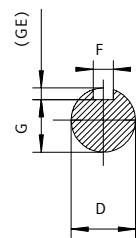
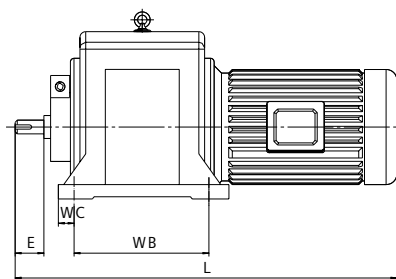
型号 Type	标称功率 Nominal power (kW)	额定转矩 Rated torque (N.m)	额定转速范围 Speed range (r/min)
YCT YCTL 112-4A	0.55	3.6	1230-125
YCT YCTL 112-4B	0.75	4.9	1230-125
YCT YCTL 132-4A	1.1	7.1	1230-125
YCT YCTL 132-4B	1.5	9.7	1230-125
YCT YCTL 160-4A	2.2	14.1	1250-125
YCT YCTL 160-4B	3	19.2	1250-125
YCT YCTL 180-4A	4	25.2	1250-125
YCT YCTL 200-4A	5.5	36.1	1250-125
YCT YCTL 200-4B	7.5	47.7	1250-125
YCT YCTL 225-4A	11	69	1250-125
YCT YCTL 225-4B	15	94	1250-125
YCT YCTL 250-4A	18.5	110	1320-132
YCT YCTL 250-4B	22	137	1320-132
YCT 280-4A	30	189	1320-132
YCT 315-4A	37	232	1320-132
YCT 315-4B	45	282	1320-132
YCT 355-4A	55	344	1340-440
YCT 355-4B	75	469	1340-440
YCT 355-4C	90	564	1340-600

## 安装型式 Mounting type

YCT	IMB3
YCTL	IMV1 IMV3 IMB5 (112 ~ 200)
	IMV1 (225 ~ 250)

## 安装及外形尺寸 Dimensions of mounting and Outline

机座号 Motor size	安装尺寸 (mm) Mounting Dimensions											外形尺寸 (mm) Outline Dimensions		
	A	WB	WC	E	H	D	F	G	K	AB	AD	AC	HD	L
112-4A -4B	190	210	40	40	112	19	6	15.5	12	240	150	260	280	520
132-4A -4B	216	241	40	50	132	24	8	20	12	285	165	310	330	570 585
160-4A -4B	254	267	45	60	160	28	8	24	15	330	185	350	385	665
180-4A	279	305	45	60	180	28	8	24	15	365	195	385	430	700
200-4A -4B	318	356	50	80	200	38	10	33	19	410	235	430	485	820 860
225-4A -4B	356	406	56	110	225	42	12	37	19	465	270	485	545	980 1025
250-4A -4B	406	457	63	110	250	48	14	42.5	24	520	295	540	595	1130 1170
280-4A	457	508	70	110	280	55	16	49	24	575	320	595	665	1280
315-4A -4B	508	560	89	140	315	60	18	53	28	645	345	670	770	1400 1425
355-4A -4B -4C	610	630	108	140	355	65 75 75	18 20 20	58 67.5 67.5	28	755	390 420 420	780	890	1550 1630 1680



# 证书 Certificates



## 西门子电机（中国）有限公司

地址:江苏省仪征市汽车工业园众鑫路99号

电话:+86 514 85718108

传真:+86 514 85718083

邮编:211400

邮箱:beide-motor.ssml@siemens.com

网址:www.beide-motor.cn

订货号: E20001-A-0214-C600-X-5D00  
664-SH902076-07125

西门子电机（中国）有限公司版权所有  
如有改动 恕不事先通知。